

Product Sheet

Legend Series – Down Light (投嵌燈)

35W LED Down Light



Specification 【規格表】	
Input Voltage (輸入電壓):	100~240 VAC (50/60Hz)
Watts (使用功率):	35W
Power Factor (功率因素):	>0.98
Lumen (光通量):	>2400lm
LED:	Cree LED* 6pcs
Dimension (尺寸):	W162*H155mm
Cut-Outs (嵌入孔):	∅ 150mm
Weight (重量):	900g (Without Adaptor)

Applications



Commercial lighting, Spot light, Indoor lighting, Recessed 6" lighting...etc.

商場照明、重點區域照明、室內一般照明及當 15 公分嵌燈使用...

Ordering Code Guideline (編碼原則)

EX: DL35 – WW – W150 – 25

Down light 30W

3000K/5000K (NW)

Recessed 150mm

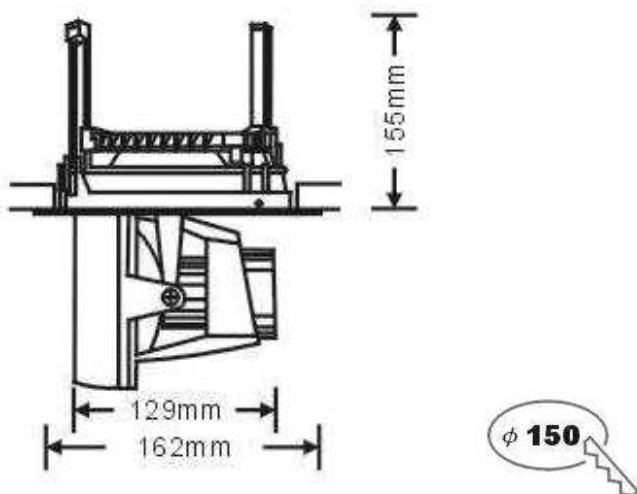
Field Angle

Model List (型號)

Item	Model No. (品號)	Spec. (規格)
1-1	DL35-WW-W150-25	Down Light, 3000K, Cut-Outs (嵌入孔) 150mm, 25° (投射角)
1-2	DL35-NW-W150-25	Down Light, 5000K, Cut-Outs (嵌入孔) 150mm, 25° (投射角)
2-1	DL35-WW-W150-40	Down Light, 3000K, Cut-Outs (嵌入孔) 150mm, 40° (投射角)
2-2	DL35-NW-W150-40	Down Light, 5000K, Cut-Outs (嵌入孔) 150mm, 40° (投射角)
3-1	DL35-WW-W150-60	Down Light, 3000K, Cut-Outs (嵌入孔) 150mm, 60° (投射角)
3-2	DL35-NW-W150-60	Down Light, 5000K, Cut-Outs (嵌入孔) 150mm, 60° (投射角)

Mechanical Drawing (產品尺寸圖)

【Rotatable (可旋轉) 355°】



Environmental Condition (環境條件)

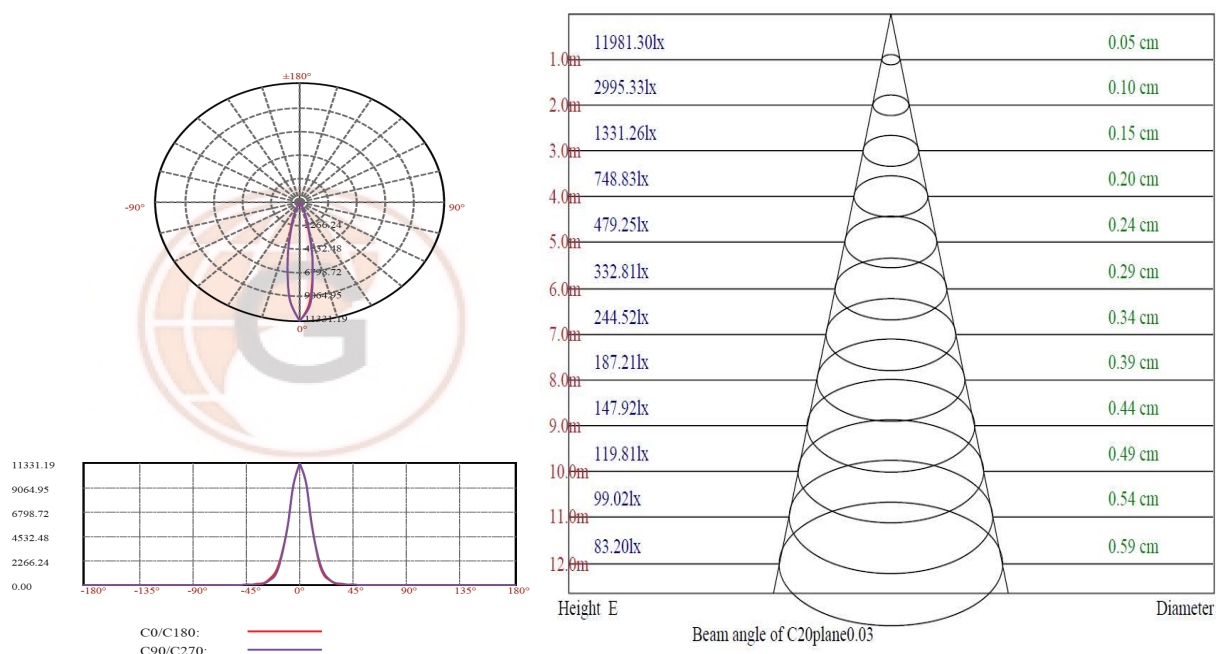
Item (項目)	Specification Description (規格說明)
Operating Temp (操作環境溫度)	0 ~ +50°C
Storage Temp (保存環境溫度)	-20 ~ +60°C
Humidity (環境相對濕度)	5% ~ 85%

Optical Specification (光學規格)

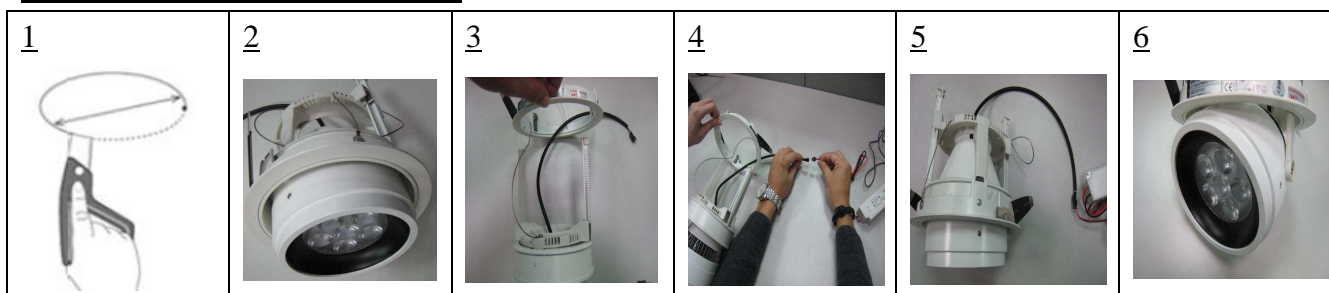
Model No (品號)	CCT*	Lumen	CRI	Lux @1M	Beam Angle
DL35-WW-W150-25	3000K	2400lm	Typ. 80	16000lx	25°
DL35-NW-W150-25	5000K	2500lm	Typ. 75	17500lx	
DL35-WW-W150-40	3000K	2400lm	Typ. 80	12000lx	40°
DL35-NW-W150-40	5000K	2500lm	Typ. 75	13500lx	
DL35-WW-W150-60	3000K	2400lm	Typ. 80	7000lx	60°
DL35-NW-W150-60	5000K	2500lm	Typ. 75	8000lx	

Light Distribution Curve(配光曲線)

Beam Angle : 40°



Installation Guide (安裝說明)



Cut mounting hole
(φ 150mm)

Insert down light into hole

Pull the light source out of the fixture and connect power cable

Adjust the angle of
LED lamp vertically
and horizontally